

Department of Economics

Assoc Prof Chia Ngee Choon
Deputy Head, Department of Economics
Director, Undergraduate Programme



University-level requirements (General Education)

**B.A. Degree /
B.Soc. Sci (Hons)
Degree**

- **General Education**
 - ✓ Quantitative Reasoning (GER)
 - ✓ Computational Thinking (CT)
 - ✓ Singapore Studies (GES)
 - ✓ Thinking and Expression (GET)
 - ✓ Asking Questions (GEQ)
 - ✓ Human Cultures (GEH)

Students in the USP and the Utown College Programme should check the details on University-level requirements with their colleges.

Faculty Core

**1 FAS1101 - Writing Academically:
Arts and Social Sciences
(compulsory)**

**1 FAS1102 – Public Writing and
Communication (compulsory)**

1 Exposure Module (Asian
Studies)

1 Exposure Module (Humanities)

**1 Exposure Module
(Social Sciences)**

**Writing,
Expression and
Communication**

Faculty Exposure
includes the
exposure module

EC1101E

Single major: Sample strategy for honours candidature

Semester	General Education	Programme Requirements		Unrestricted Electives *
		Faculty Core	Major	
1 - 2		↑↑ Exp #1 (4 MC) ↑↑ Exp #2 (4 MC) ↑↑ Exp #3 (4 MC) ↑↑ FAS1101 (4 MC) ↑↑ FAS1102 (4 MC)		
			Declare Major	
3				
4	5 modules (20 MC)		11 modules (44 MC)	9 modules (36 MC)
5				
6				
BA 30 modules (120 MC)	5 modules (20 MC)	5 modules (20 MC)	11 modules (44 MC)	9 modules (36 MC)
7				
8			8 modules (40 MC)	
Honours 40 modules (160 MC) 120MC + 40MC = 160MC	5 modules (20 MC)	5 modules (20 MC)	19 modules (84 MC)	9 modules (36 MC)

**MAJOR IN ECONOMICS
WITH SPECIALIZATION**

What is Economics?

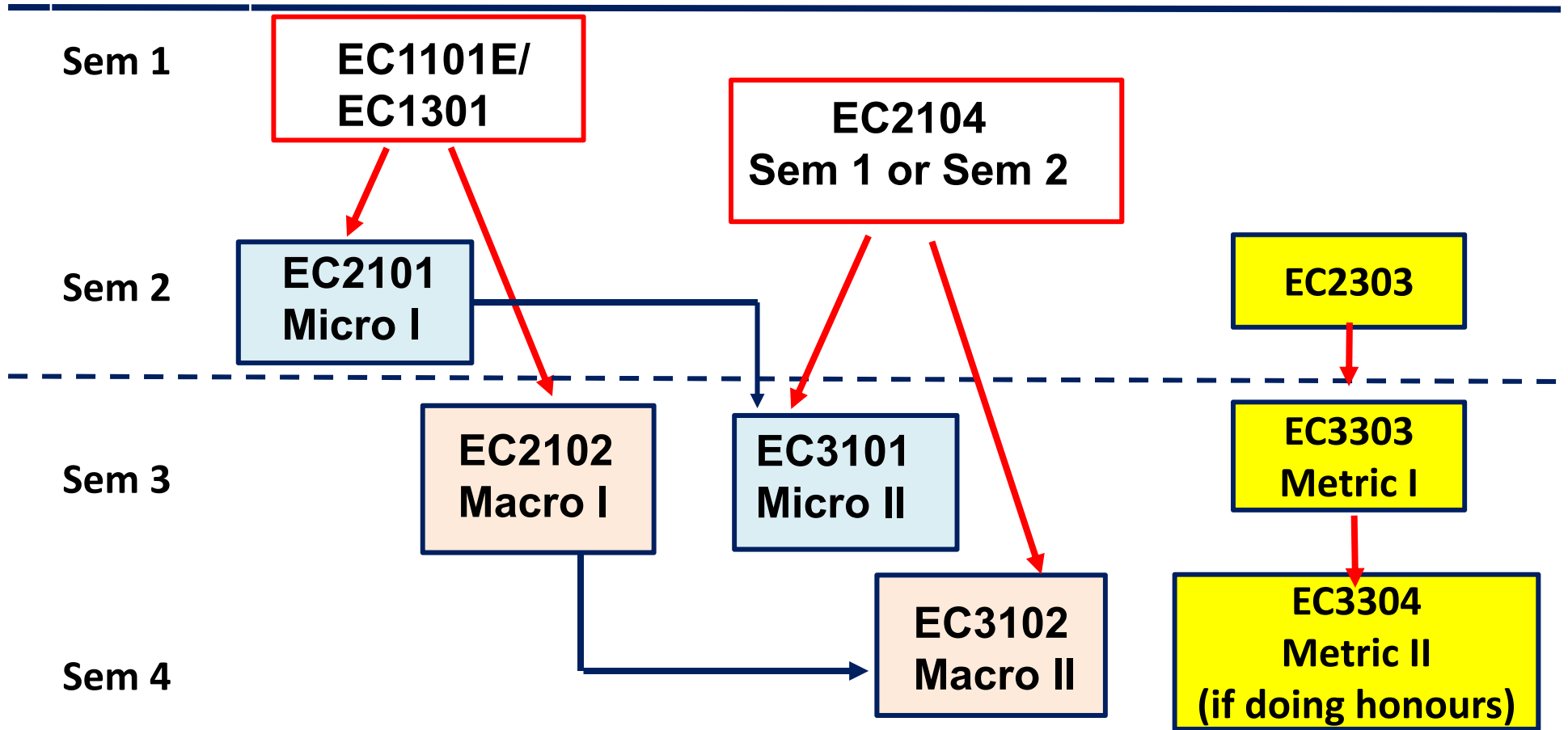
A way of thinking

- the study of human choice in the face of scarcity
- helps us to better understand the complex world around us
 - the trade-offs that individuals, firms and governments face

Equips you with transferable skills

- analytical problem solving
- rigorous and structured thinking (including model building)
- quantitative / empirical skills (statistics and econometrics)
- Programming skills

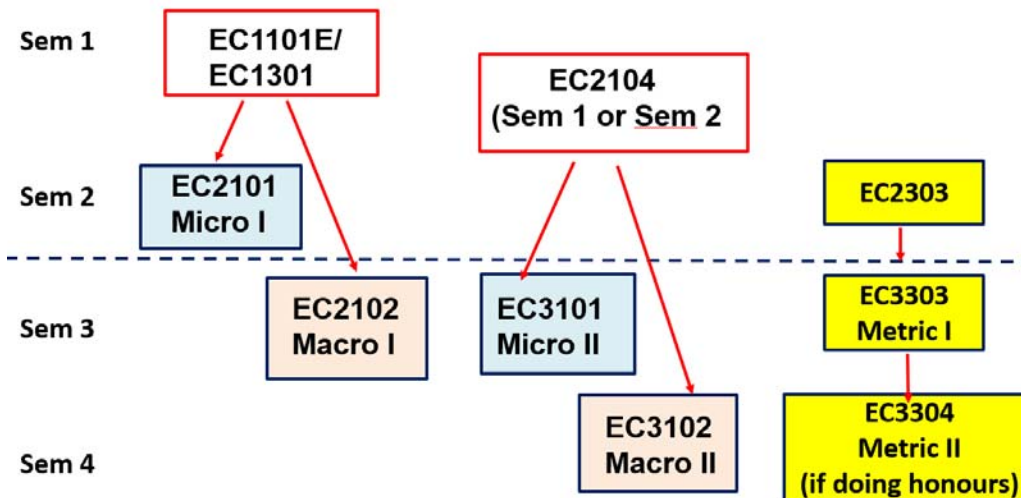
Recommended Sequencing : Core EC Modules



Since EC2101 requires multivariate calculus, recommend to take EC2104 before, or concurrently with EC2101.

Since E2102 macroeconomics builds on micro-foundations, recommend to take EC2101 before, or concurrently with EC2102.

Programme Requirement: Single EC Major B.Soc.Sci. (Hons)



84 MCs of EC-coded or EC-recognized modules (max 8 MCs)

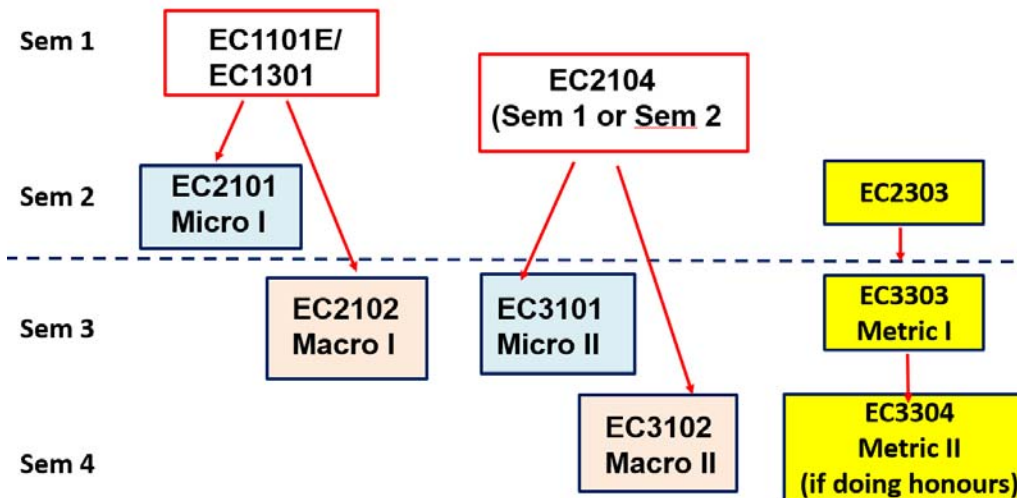
[1] 8 core (**32 MCs**): micro, macro, metrics

[2] Minimum of **40 MCs** of EC modules at 4000 level or higher

[3] **12 MCs** of electives

<https://www.fas.nus.edu.sg/ecs/undergraduate/progReq.html>

Programme Requirement: Single Major (B.Soc.Sci. (Hons))



84 MCs of EC-coded or EC-recognized modules (max 8 MCs)

[1] 8 core (**32 MCs**): micro, macro, metrics

[2] Minimum of **40 MCs** of EC modules at 4000 level or higher

[3] **12 MCs** of electives

<https://www.fas.nus.edu.sg/ecs/undergraduate/progReq.html>

Pre-requisites for EC3000 modules

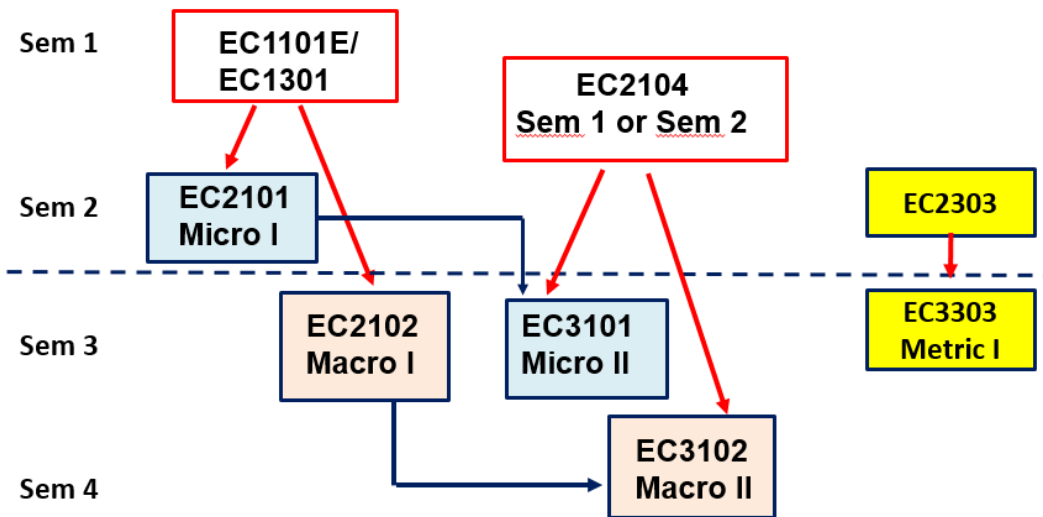
		EC2101	EC2102	EC2104
EC3101	Microeconomic Analysis II	X		X
EC3102	Macroeconomic Analysis II	X	X	X
EC3303	Econometrics I			
EC3304	Econometrics II			
EC3305	Programming Tools for Economics	X	X	X
EC3312	Game Theory & Applications to Economics	X		X
EC3314	Mathematical Economics	X	X	X
EC3322	Industrial Organisation I	X		X
EC3332	Money and Banking I		X	X
EC3333	Financial Economics I	X	X	X
EC3341	International Economics I	X	X	X
EC3342	International Trade I	X	X	
EC3343	International Finance I	X	X	
EC3351	Public Finance	X		X
EC3361	Labour Economics I	X		X
EC3372	Economics of Technology and Internet	X		X
EC3373	ASEAN Economies	X		
EC3374	Economy of Modern China II	X	X	
EC3375	Economy and Business of Japan and Korea	X		
EC3378	Emerging India in Asia's Economic Integration		X	
EC3381	Urban Economics	X		X
EC3383	Environmental Economics	X		
EC3384	Resource and Energy Economics I	X		
EC3385	Maritime and Shipping Economics	X		
EC3386	Port Economics			
EC3394	Economics and Psychology	X	X	
EC3395	Economics and Ethics	X	X	
EC3396	Economic Analysis of Law I		X	X

		EC3101	EC3102	EC3303	EC3304
EC4301	Microeconomic Analysis III	X	X		
EC4302	Macroeconomic Analysis III	X	X		
EC4303	Econometrics III	X	X		X
EC4304	Economic and Financial Forecasting			X	X
EC4305	Applied Econometrics				X
EC4306	Applied Microeconomic Analysis	X			
EC4307	Issues in Macroeconomics		X		
EC4308	Machine Learning and Economic Forecasting				X
EC4311	Mathematical Economic Analysis	X	X		
EC4313	Search Theory and Applications	X	X		
EC4323	Income Distribution Analysis	X	X	X	
EC4352	Singapore Economy: Practice and Policy	X	X	X	
EC4353	Health Economics	X	X		X
EC4372	Technology and Innovation	X	X	X	
EC4373	Policy Issues of Singapore Economy	X	X	X	
EC4382	Transport Economics	X			X
EC4387	Housing Economics	X			X
EC4398	Economics of Inequality	X	X		X
EC4332	Money and Banking II	X	X	X	
EC4333	International Finance II	X	X	X	
EC4342	International Trade II	X	X		
EC4354	Economics of Education	X	X	X	
EC4361	Labour Economics II	X	X	X	
EC4362	Immigration Economics	X	X	X	
EC4377	Global Economic History –	X	X		X
EC4383	Environmental Economics and Policy	X			
EC4384	Resource and Energy Economics II	X	X		

Specializations in the B.Soc.Sci. (Hons)

- (1) Quantitative Economics**
- (2) Monetary and Financial Economics**
- (3) Applied and Policy Economics**

Programme Requirement: Second EC Major



At least **60** MCs of EC-coded or EC-recognized modules (max 8 MCs)

[1] 7 core (**28 MCs**): micro, macro, metrics

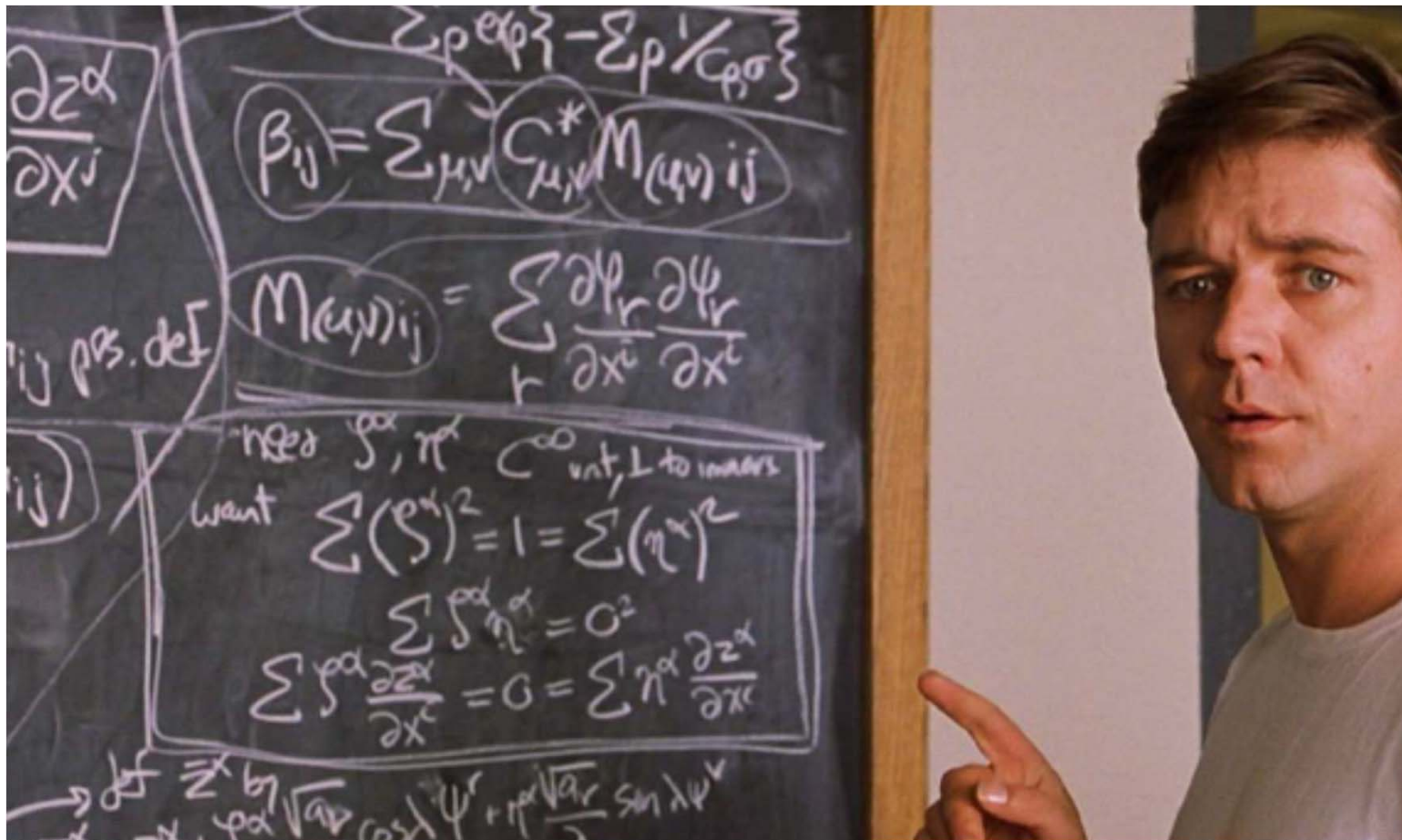
[2] Minimum **20 MCs** of EC modules at level-2000 or higher

(including EC3101, EC3102 and EC3303)

<https://www.fas.nus.edu.sg/ecs/undergraduate/progReq.html>

Quantitative Economics

- prepares students for postgraduate studies and positions that require strong mathematical and econometric training.



Students are required to complete 24MCs of modules comprising:

(i) Any one of the following (4MC):

- EC3312 Game Theory and Applications
- EC3314 Mathematical Economics

(ii) EC4301 Microeconomic Analysis III (5MC)

(iii) EC4302 Macroeconomic Analysis III (5MC)

(iv) Any two of the following (10MC):

- EC4303 Econometrics III
- EC4304 Economic and Financial Forecasting
- EC4311 Mathematical Economic Analysis
- EC4313 Search Theory and Applications
- EC5104R Mathematical Economics

equips students with the necessary skill sets for careers in the financial sector



Students are required to complete 27MCs of modules comprising:

- (i) EC3332 Money and Banking I (4MC)
- (ii) EC3333 Financial Economics I (4MC)
- (iii) EC3343 International Finance I (4MC)

(iv) Any three of the following (15MC):

- EC4302 Macroeconomic Analysis III
- EC4307 Issues in Macroeconomics
- EC4331 Monetary Economics and Policy
- EC4332 Money and Banking II
- EC4333 Financial Economics II
- EC4334 Financial Micromarket Structure
- EC4343 International Finance II

Prepares student for careers in the public sector
and routes into think tanks

- Analyses of current economic issues and challenges
 - Local and regional economic issues
 - Growth and development
 - Public Finance
 - Labor
 - Demography / Population
 - Industrial organization
 - Urban and transport
 - Port and maritime
 - Environment and resource
 - Law
 - Inequality

Students are required to complete 24MCs of modules comprising:

(i) Any one of the following (4MC):

- EC3351 Public Finance
- EC3342 International Trade I
- EC3361 Labour Economics I
- EC3381 Urban Economics
- EC3396 Economic Analysis of Law I

(ii) EC4305 Applied Econometrics

OR

EC5326R Policy Impact Evaluation Methods (5MC)

7

(iii) Any three of the following (15MC):

- EC4324 Economics of Competition Policy
- EC4351 Public Economics
- EC4352 Singapore Economy: Practice and Policy
- EC4353 Health Economics
- EC4354 Economics of Education
- EC4342 International Trade II
- EC4361 Labour Economics II
- EC4362 Immigration Economics
- EC4371 Development Economics
- EC4372 Technology and Innovation
- EC4382 Transport Economics
- EC4383 Environmental Economics and Policy
- EC4387 Housing Economics
- EC4398 Economics of Inequality
- EC4399 Behavioural Public Policy

<https://www.fas.nus.edu.sg/ecs/undergraduate/progReq.html>

**DOUBLE MAJOR
(PRIMARY MAJOR IN EC)**

Double Major

(with primary major in Economics)

- a single degree programme
- satisfies the requirements of two majors, a primary major and a second major.
- A second major will consist of at least 44 MCs or 48 MCs of modules of which:
 - up to 8 MCs can be double counted
 - at least 16 MCs must be at level 3 or above

Double Major Programme

- Admission:
 - direct admission after being offered a place in FASS
 - Mid-stream application : no later than the 5th semester of study
- Eligibility to apply:
 - CAP of 3.50, passed exposure module and among other requirements; and not exceeding quota
- Continuity requirements: none
- No application required (within FASS)
- Simply declare your two majors if you meet the major pre-requisites

Double Major

(with primary major in Economics)

- The Department offers the following structured Double Major Programmes to Economics major students.
 - Double Major in Economics and Business Analytics
 - Double Major in Economics and Management
 - Double Major in Economics and Mathematics
 - Double Major in Economics and Statistics

DMP: Economics and Statistics

DMP: Economics and Mathematics

- **Intake:** Direct Admission or Mid-stream
- **Qualifying Modules:**
- For FASS students who are reading primary major in Economics and applying to read second major in Statistics or Mathematics:
 - MA1101R Linear Algebra I
 - MA1102R Calculus
 - EC2101 Microeconomics I
 - EC2102 Macroeconomics
- **Notes:**
- EC2104 precludes any MA module that is not MA1301 or MA1311
- EC2303 precludes all ST and MA modules, DSC1007, MA2216
- **Progression:**
- Students admitted to read this double major will proceed to fulfil the respective second major requirements from **semester 1 of their second** year.
- (Should refer to the requirements for second major in ST and MA)

EC-recognized Modules

- MA1101R Linear Algebra I
MA1102R Calculus
MA1505 Mathematics I
MA1506 Mathematics II
MA1507 Advanced Calculus
MA1508 Linear Algebra with Applications
MA2108 Mathematical Analysis I
MA3110 Mathematical Analysis II
- ST1131 Introduction to Statistics
ST2131 / MA2216 Probability
- PP5141 The Economic and Evolutionary Foundations of the Singapore Story
- BSS4003A Special Sem in Business: Innovation and Productivity

DMP: Economics and Statistics

- For DMP in Economics and Statistics, you are advised to read **ST3131** to fulfil the major requirement for Statistics.
- ST3131 is a preclusion to EC3303.
- Students who have passed ST3131 are allowed to read any level-3000 EC elective in lieu of EC3303.

MINOR

WITH PRIMARY MAJOR IN EC

Minor Programmes

(with primary major in Economics)

- study in an additional area outside of the major
- FASS Economics major students may submit an application no later than the 5th semester of study for the respective Minors (mid-stream application)
- Minor programme: (double counting modules)
- - Economics Major with Minor in Business Analytics (EC2303)
- - Economics Major with Minor in Information Systems (EC3322)
- - Economics Major with Minor in Real Estate (EC1101E and EC3381)

Minor In Economics

Pass at least **24 MCs** of EC or EC-recognised modules, which include the following:

(1) EC1101E Introduction to Economic Analysis

OR EC1301 Principles of Economics

(2) EC2101 Microeconomic Analysis I

OR

EC2102 Macroeconomic Analysis I

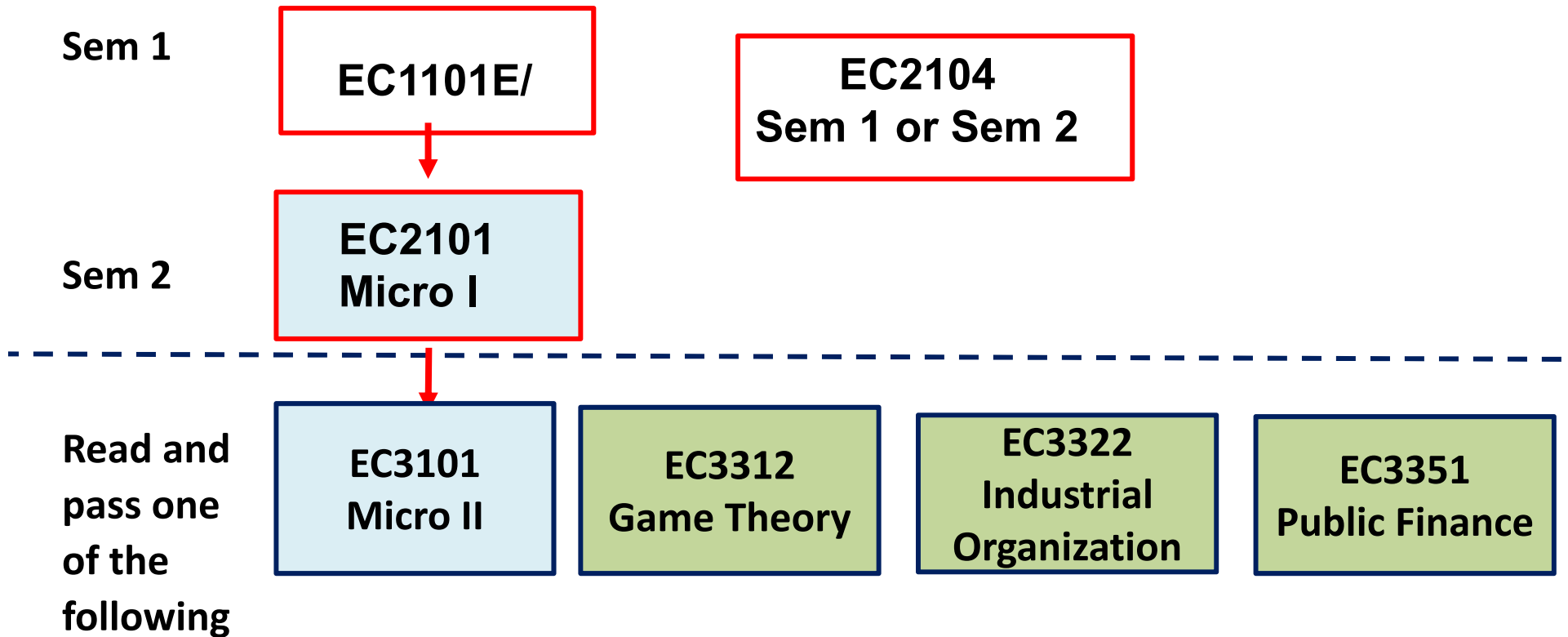
- EC-recognised module for MINOR Programme
FNA2004/FIN2004/FIN2004X

Note 3: EC-prefixed module exemptions (with 'EXE' grade) cannot be counted towards the EC minor requirements.

Note 4: EC minor is offered to non-FASS students and to FASS students

PPE
PHILOSOPHY, POLITICAL SCIENCE
AND ECONOMICS

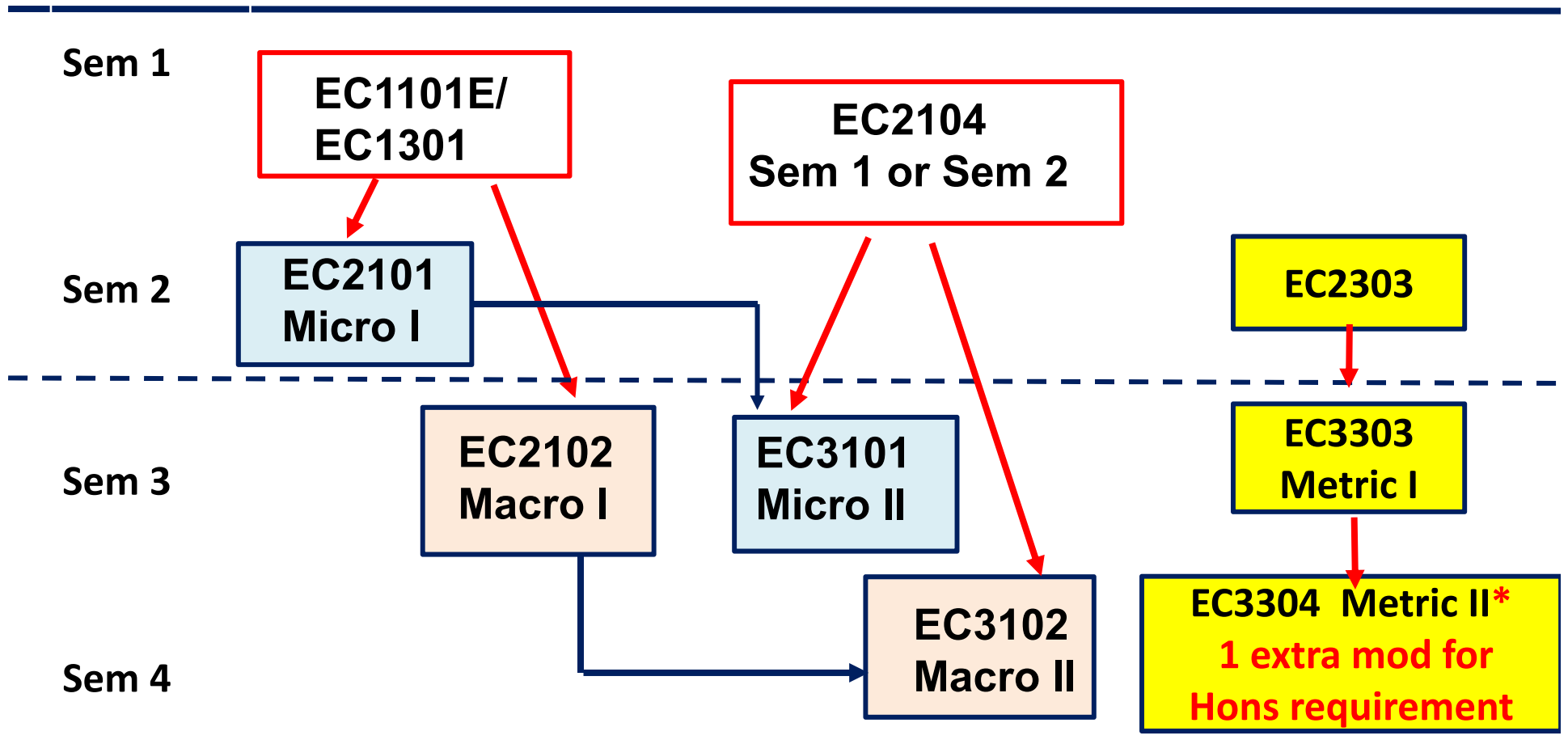
PPE Non-specialization



Since EC2101 requires multivariate calculus, recommend to take EC2104 before, or concurrently with EC2101.

The EC3xxx listed requires EC2101 and EC2104 as pre-requisite.

Recommended Sequencing : EC Specialization



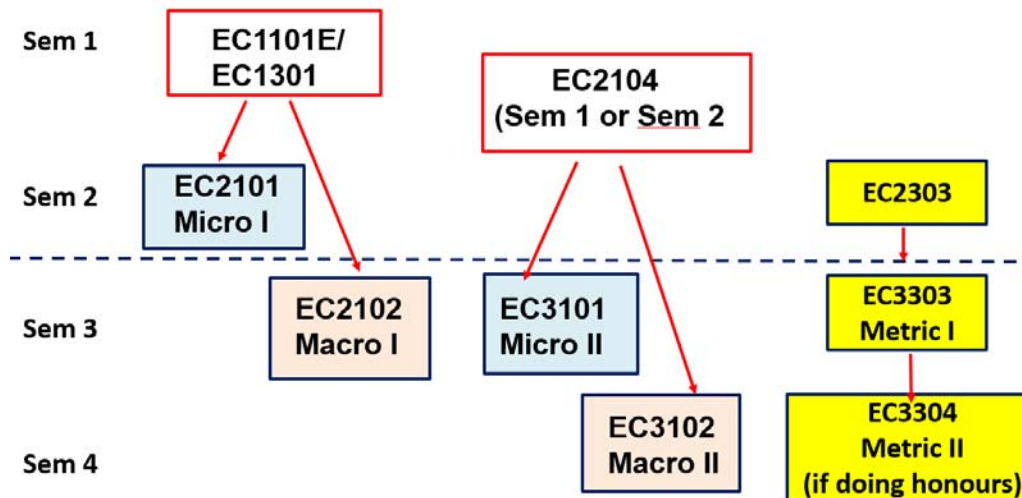
Advisory: Advantageous for PPE students with EC specialization to fulfil EC major graduation requirements by

- reading EC2303 and EC3303
- doing 1 module beyond requirements

Using Unrestricted Elective space

Economic Specialization

Pre
Honors



Honors

Read and pass at least 10MCs of 4000-level modules in the Specialization (PH/PS/EC).

Read and pass at least 10MCs of 4000-level PE-coded or PE-recognised modules (not including PE-coded Thesis or Independent Study modules).

Multidisciplinary Honours Thesis (optional)

Double Degree in Economics and Business Analytics

Double Degree in Economics and Information Systems

Double Degree in Economics and Business

Double Degree in Economics and Engineering

Double Degree in Economics and Law

NUS-ANU, Australia, Joint Degree Programme

NUS-UNC (Chapel Hill), U.S., Joint Degree Programme

NUS- Sciences Po, France, Joint Degree Programme

**JDP Australian National University-
National University of Singapore
Actuarial Studies and Economics**



Fully accredited by
The Institute of Actuaries of Australia (IAAust)

Exemptions from Parts I and II examinations

Admission as an Associate of the Institute
of Actuaries of Australia (**AIAA**) after 3-year practical
experience + professionalism course

Part III examination to be done post-university plus
12 months practical experience in the field

Fellow of the Institute of Actuaries of Australia (**FIAA**)
fully qualified actuary

ANU-NUS Joint Degree Program - Application

- Open for applications to first-year FASS students majoring in Economics
- Only online applications are accepted. An email with the link to the application system will be sent to all freshmen's NUS account
- After submission of the online application, complete the recommended modules for the first 3 semesters of study

ANU-NUS Joint Degree Program - Selection

- Selection will take place after Semester Two exam results are released, and will be based on the academic performance of the applicants
- Applicants should attain CAP of 4.0 or above, and good grades for each of the core modules
- Successful applicants will spend the first three semesters in NUS, the next four semesters in ANU, and the final eighth semester in NUS again
- Unsuccessful applicants may continue to work towards the Honours degree in Economics or any other major in the Faculty.

ANU-NUS Joint Degree Program

BSocSci (Honours in Actuarial Studies & Economics)

Semester	To be completed at	Modules
1	NUS	EC1101E Introduction to Economic Analysis EC2303 Foundations for Econometrics ACC1701X Financial Accounting MA1101R Linear Algebra I FAS1101 Writing Academically: Arts & Social Sciences GE Quantitative Reasoning/Asking Questions module
2	NUS	EC2101 Microeconomic Analysis I EC2102 Macroeconomic Analysis I EC3303 Econometrics I FIN2704X Finance GE Quantitative Reasoning/Asking Questions module GE Singapore Studies
3	NUS	EC3101 Microeconomic Analysis II EC3102 Macroeconomic Analysis II EC3304 Econometrics II FIN3701 Corporate Finance MA1102R Calculus Computational Thinking (GE Thinking and Expression)

Career Prospects

DBS National Climate Change Secretariat University of Warwick J. P. Morgan Northwestern University UOB Barclays Capital Services
 Monash University Royal Bank of Scotland Shell Singapore Economist Service
 Standard Chartered Bank Ernst & Young SAF Columbia University Far East Org HSBC
 Bank of America
 Sun Yat-Sen University PriceWaterhouseCoopers Monetary Authority of Singapore Department of Statistics Singapore
 Ministry of Trade and Industry Citibank JLT RE Asia
 ARS Asia Pacific Morgan Stanley Massachusetts Institute of Technology International Monetary Fund Australian National University
 CIMB Economic Development Board Yale University UBS Wealth Management Credit Suisse
 University of Queensland Frost & Sullivan Asia Pacific Competition Commission of Singapore Civil Service College
 MOE MOM Prudential Assurance University of Pennsylvania (Wharton) LemLab @ Asia
 Singapore Airlines
 Pearson Education Ministry of Transport Bloomberg Civil Aviation Authority of Singapore Emerald National Oil
 Northern Trust Co. Energy Market Authority Urban Redevelopment Authority Bank of China Workforce Development Agency
 People's Association Cleartrade Exchange OCBC Central Provident Fund Board Xiamen University SingNet Isetan

Double Degree in Engineering and Economics

<http://www.nus.edu.sg/prog/engecon/>

FURTHER INFORMATION

– **Please visit:**

– <http://www.fas.nus.edu.sg/ecs/undergraduate/introduction.html>

– **ENQUIRIES**

– ecspmfg@nus.edu.sg